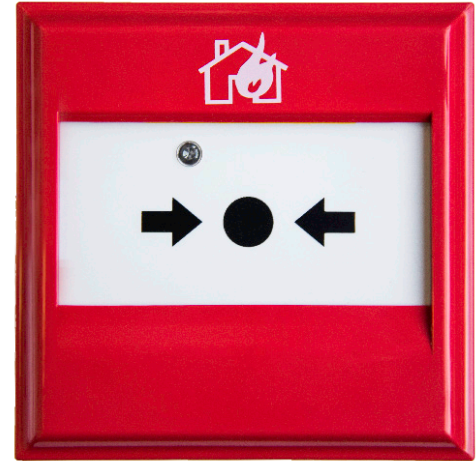


# Innovation Manual Call Point

## DC-9204E-KID



### Overview

DC-9204E-KID Innovation Manual Call Point (MCP) is a conventional Manual call point, designed to connect to compatible conventional fire alarm systems.

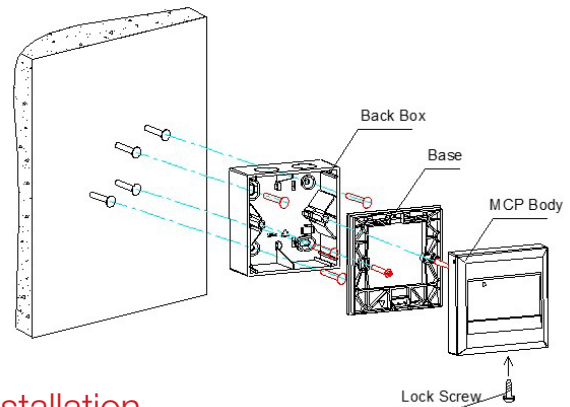
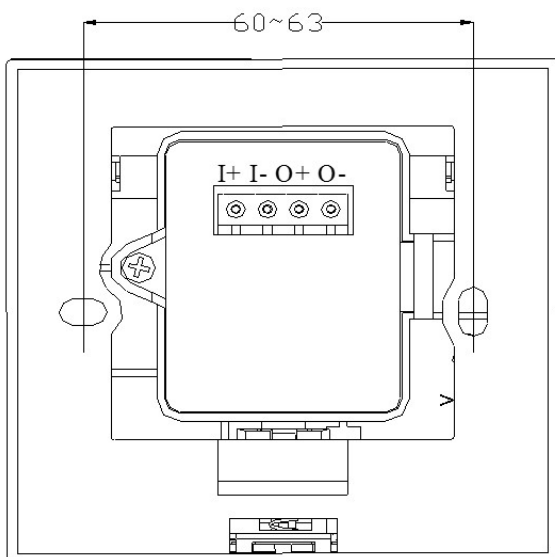
When the MCP activated the RED led activates. The MCP is reset by the reset key supplied with the MCP

### Standard Features

- Resettable frangible element
- Plug-in terminal blocks
- Standards : AS 7240.11

### Connection and Assembly

Terminals on the MCP base are shown as Fig. 1 (units in mm)



### Installation

The MCP can be surface, recessed or flush mounted:

Surface Mounting: See Fig 2 above

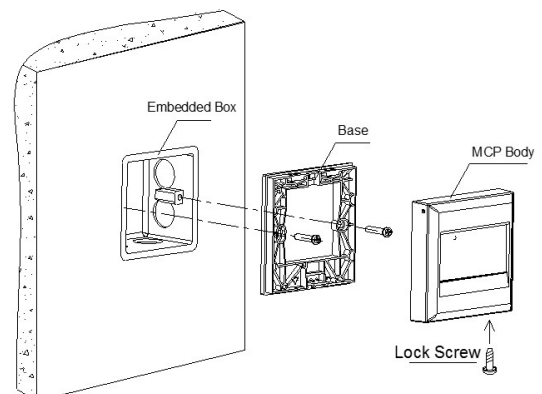
Install the back box to the wall using 4 screws, then install the base onto the back box.

Connect cables and assemble as per instructions in Connection and Assembly.

Recessed mounted: See Fig 3

When the back box is embedded in concrete, install the base onto the back box. Connect cables and assemble as per instructions in Connection and Assembly.

Flush mounted: discard back box, Fit the base to the wall, Connect cables and assemble as per instructions in Connection and Assembly.



## Australia & New Zealand

Phone: 1800 672 171  
 Outside Australia: +61 3 9518 5588  
 Email: cs@firesecurityproducts.zendesk.com  
 Web: www.kidde.com.au

## Head Office

10 Ferntree Place  
 Notting Hill, Victoria 3168  
 Australia

© 2021 Carrier. All rights reserved.  
 Kidde Australia is a Carrier company.

REF: 313011529

## Application

Application of the MCP is shown in Fig. 4

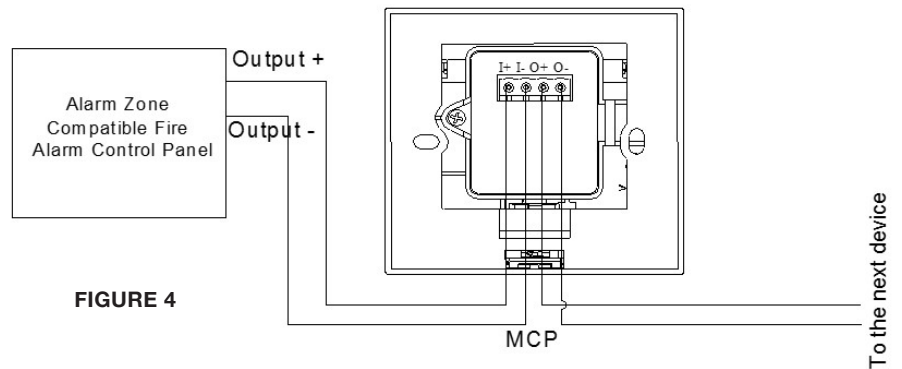


FIGURE 4

**NOTE:** Note: To operate correctly, the MCP must be connected to an Alarm Zone compatible fire alarm control panel (28VDC/60mA max.). Connecting the call point directly to 24VDC power may damage the MCP.

### Reset key:

Vertically insert the reset key into the key-hole, and turn it clockwise. Turn the key back and pull it out when the frangible element is reset.

## Specifications

Operating Voltage	24VDC (12VDC ~28VDC)
Standby Current	0mA
Alarm Current	≤30mA (equivalent resistance is 470Ω)
Indicator	Red
Type of Initiating Part	Reusable
Initiating Mode	Pressing the frangible element
Resuming Mode	Manually reset by reset key
Wiring	Two-wire
Class	Indicator
Ingress Protection Rating	IP43
Environmental Temperature	-10°C~+55°C
Relative Humidity	≤95%, non-condensing
Material of Enclosure	ABS, red
Dimension (LxWxH)	87.1mm x 87.1mm x 58.5mm (with back box) 87.1mm x 87.1mm x 23.5mm (without back box)
Mounting Hole Distance	60mm
Weight	160g (with back box) 107g (without back box)

## Protective Flip Cover

The D-92FC protective flip cover is installed with D series manual call point, to build a double action of the MCP, prevent from accident trigger operation.

### Specifications

Material	PMMA
Dimension	87mm x 92mm x 20mm
Thickness	1.7mm

## Ordering information

Part number	Description
DC-9402E-KID	INNOVATIVE CONVENTIONAL MANUAL CALL POINT
D-92FC-KID	MCP FLIP COVERS
D-92WPB-KID	MCP WATHER PROOF BOX

