

## Model P4010ACSCOAQ-WF



### Features & Benefits

- **An industry first\***: The first all-in-one smart home safety device to integrate smoke and carbon monoxide (CO) detection with Indoor Air Quality (IAQ) monitoring.
- **Indoor air quality monitoring**: Built-in air quality sensor measures levels of temperature, relative humidity and Total Volatile Organic Compounds (TVOC) – harmful chemicals in your air that can impact your health.
- **Remote notification and status with Kidde HomeSafe**: Use the Kidde app to receive notifications if hazards are detected, know when the device needs to be replaced and test alarms.\*\* Mobile alerts allow you to notify friends and family of potential danger. Plus, you can Smart Hush™ false alarms when you are home.\*\*
- **One battery for 10 years**: Alarms are powered by 120V AC with a sealed long-life lithium backup battery that lasts for 10 years\*\*\* – the entire life of the device.
- **Simplify setup**: Just scan the QR code on the back of the product. No additional hub is needed to set up your Kidde smart devices.
- **Whole-home alarm activation**: Interconnected alarms activate together\*\*\*\* – when one alarm sounds, they all sound, and an alert is sent to your phone.
- **Compatible with Google Assistant and Amazon Alexa**: Use voice commands to check alarm status and connection.†

\*First Underwriters Laboratories (UL) Listed carbon monoxide and smoke detection device with indoor air quality monitoring.

\*\*This feature is only available on devices with the Kidde HomeSafe feature, not other interconnected alarms, when you are connected to the same Wi-Fi network as the alarm.

\*\*\*10-year limited warranty on alarm. Not a battery performance claim.

\*\*\*\*Alarms only connect with other Kidde alarms that have hardwired AC interconnect capability.

† Amazon, Alexa, and all related marks are trademarks of Amazon.com, Inc or its affiliates.

Google is a trademark of Google, LLC

### An industry first\*

1st smart device with smoke, CO & indoor air quality monitoring.

### Indoor air quality monitoring

Measures harmful chemicals in your air that can impact health.

### Remote alarm notifications

Real-time mobile alerts through the Kidde app.

### Smart Detection featuring Kidde HomeSafe™

This alarm is part of a comprehensive suite of home safety devices that help protect against smoke, carbon monoxide, indoor air quality issues, leaks and freezes.

### Description

The first all-in-one smart home safety device to integrate smoke and carbon monoxide (CO) detection with Indoor Air Quality (IAQ) monitoring\*, from the #1 most installed fire safety brand in North America. The Kidde Smoke + Carbon Monoxide Alarm with Indoor Air Quality Monitor detects multiple airborne threats to home health and safety from a single, Wi-Fi-enabled device. Equipped with Kidde HomeSafe, it connects to the Kidde app to place status updates and mobile alerts at your fingertips. It's also designed to work together with existing Kidde hardwired interconnected alarms to provide whole-home alarm activation\*\*\*\* – when one alarm sounds, they all sound, and an alert is sent to your phone. The Smoke + Carbon Monoxide Alarm with Indoor Air Quality Monitor is a comprehensive approach to protecting your home – and it's all from a trusted leader in fire safety for more than 100 years.

### Glowing LED Status Ring allows easy identification of current state of alarm.



Green:  
Unit is Working



Amber:  
Error



Red:  
Danger Detected

**⚠ WARNING:** Mobile alert services are ancillary to the product and for informational purposes only. They are not intended or suitable for life safety or critical purposes nor do these services take the place of third-party life safety monitoring services. This product's smartphone and tablet notifications require a stable Wi-Fi connection, and are only as reliable as your home Wi-Fi network. Images are representative only. Actual product may vary slightly.





## Architectural and Engineering Specs

See User Guide for complete instructions.

AC/DC Hardwire Specifications																					
Installation	Fits most standard electrical box openings																				
Electrical Connection	Plug-in connector																				
Interconnect	Up to 24 Kidde devices (limited by NFPA 72, see user guide)*																				
Sounds and Warnings																					
Smoke Alarm	3 long beeps, voice "Fire," 3 long beeps																				
CO Alarm	4 fast beeps, voice "Warning Carbon Monoxide," 4 fast beeps																				
End of Unit Life	After 10 years of operation, chirps and voice "Replace alarm, press button to temporarily silence"																				
CO Alarm Response Times	70ppm: 60-240min 150ppm: 10-50min 400ppm: 4-15min																				
Technical Specifications																					
Power Source	120VAC 60Hz, 53mA max 3V sealed lithium battery backup																				
Sensor(s)	Smoke: Photoelectric, CO: Electrochemical Incorporated Indoor Air Quality Sensor, measuring Temperature, Relative Humidity, Total Volatile Organic Compounds (TVOC)  Note: Sensor can take up to 4 days to fully calibrate and provide accurate readings																				
IAQ Sensing Parameters	<table border="1"> <thead> <tr> <th>Air Quality</th> <th>Relative Humidity</th> <th>Approx. VOC conc. (PPB)</th> <th>Temperature</th> </tr> </thead> <tbody> <tr> <td>Good</td> <td>30% - 49%</td> <td>&lt; 500</td> <td>&lt;=77°F &amp; &gt;=64°F</td> </tr> <tr> <td>Moderate</td> <td>25% - 29% or 50% - 59%</td> <td>&lt; 1500</td> <td>&gt;77°F &amp; &lt;=82°F or &lt;64 &amp; &gt;= 57°F</td> </tr> <tr> <td>Bad</td> <td>20% - 24% or 60% - 69%</td> <td>&lt; 2500</td> <td>&gt;82°F &amp; &lt;=92°F or &lt;57 &amp; &gt;= 48°F</td> </tr> <tr> <td>Very Bad</td> <td>0% - 19% or 70% - 100%</td> <td>&gt; 2500</td> <td>&gt;92°F or &lt;48°F</td> </tr> </tbody> </table>	Air Quality	Relative Humidity	Approx. VOC conc. (PPB)	Temperature	Good	30% - 49%	< 500	<=77°F & >=64°F	Moderate	25% - 29% or 50% - 59%	< 1500	>77°F & <=82°F or <64 & >= 57°F	Bad	20% - 24% or 60% - 69%	< 2500	>82°F & <=92°F or <57 & >= 48°F	Very Bad	0% - 19% or 70% - 100%	> 2500	>92°F or <48°F
	Air Quality	Relative Humidity	Approx. VOC conc. (PPB)	Temperature																	
	Good	30% - 49%	< 500	<=77°F & >=64°F																	
	Moderate	25% - 29% or 50% - 59%	< 1500	>77°F & <=82°F or <64 & >= 57°F																	
	Bad	20% - 24% or 60% - 69%	< 2500	>82°F & <=92°F or <57 & >= 48°F																	
Very Bad	0% - 19% or 70% - 100%	> 2500	>92°F or <48°F																		
Audio Alarm	85dB at 10ft																				
Temperature Range	40°F (4.4°C) to 100°F (37.8°C)																				
Humidity Range	10 to 95% relative humidity (RH), non-condensing																				
Connectivity	802.11b/g/n (2.4Ghz) Wi-Fi (Wi-Fi features only work with AC Powered Connected) Bluetooth 4.2 (For Commissioning Only)																				
Device Weight	0.60lb																				
Regulatory Agency Compliance (at date of manufacture)	UL 217, UL2034, NFPA 72, NFPA 101 (One and two family dwellings) Federal Housing Authority (FHA) Housing and Urban Development (HUD)																				

\* This alarm is not designed to be interconnected with other manufacturer's products, unless otherwise specified.

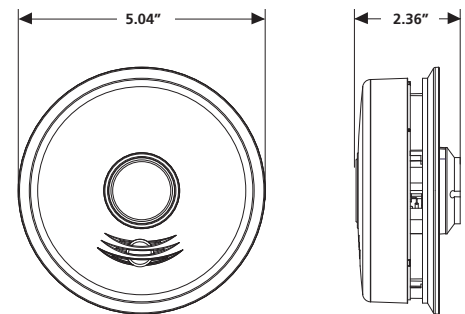
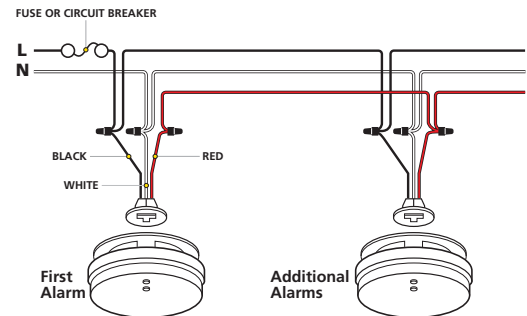
## Important Information

Industry experts recommend specific locations for smoke alarms, such as every level and sleeping area of the dwelling. Industry experts also recommend a CO alarm be installed on each level of the home—ideally on any level with fuel burning appliances and outside of sleeping areas. See user guide for more location information.

Leading authorities recommend that both ionization and photoelectric smoke alarms be installed to help ensure optimal detection of the various types of fires that can occur within the home. Ionization sensing alarms may detect invisible fire particles (associated with fast flaming fires) sooner than photoelectric alarms. Photoelectric sensing alarms may detect visible fire particles (associated with slow smoldering fires) sooner than ionization alarms.

**⚠ WARNING:** This product is intended for use in indoor residential locations. It is not designed to measure compliance with Occupational Safety and Health Administration (OSHA) commercial or industrial standards. This device is designed to protect individuals from acute effects of Carbon Monoxide exposure. It will not fully safeguard individuals with specific medical conditions. If in doubt, consult a medical practitioner. Individuals with medical problems may consider using warning devices which provide audible and visual signals for carbon monoxide concentrations under 30 ppm.

## Installation



## Ordering Information (Not for sale by individual unit)

UPC	Ordering No:	1 2 of 5	Packaging	Master Pack Qty	Pallet Qty	Dimensions (w" x d" x h")	Weight
047871308439	21030843	10047871308436	Box	2	250	8.9" x 7.7" x 7.9"	4 lbs



1016 Corporate Park Drive,  
Mebane NC 27302

1-877-542-5471 | www.Kidde.com

Distributed by:



A Carrier Company  
©2022 Carrier. All Rights Reserved.

All trademarks and service marks referred herein are property of their respective owners.